



### Installation instructions for IGNITION STATOR:

### Installation instructions for IGNITION STATOR:

**Kawasaki** KX80 1981-88, KX100 1981-88, KX125 1987-88, KX250 1981-88, KX500 1986-89

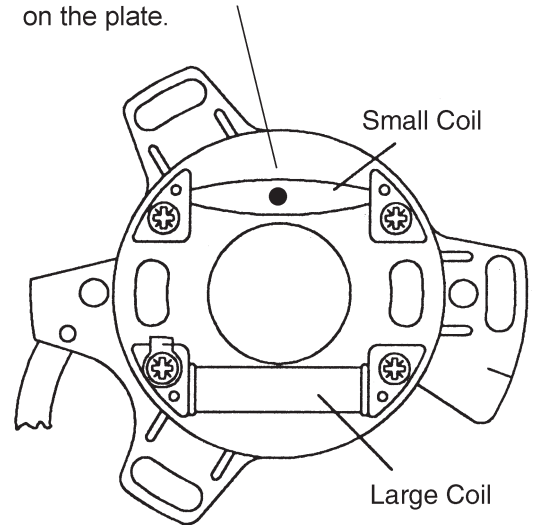
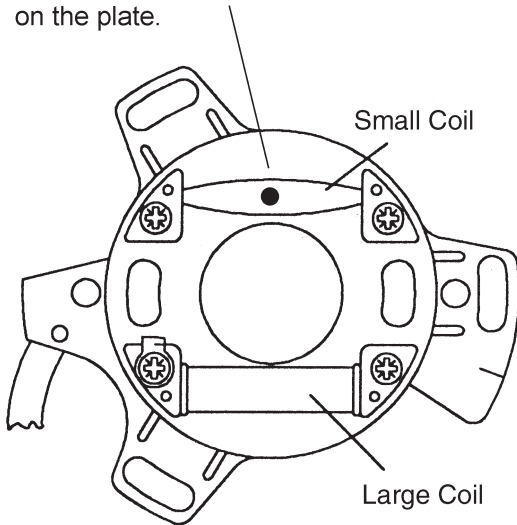
**Kawasaki** KX80 1981-88, KX100 1981-88, KX125 1987-88, KX250 1981-88, KX500 1986-89

**Yamaha** YZ80 85 on, YZ125 90-91

**Yamaha** YZ80 85 on, YZ125 90-91

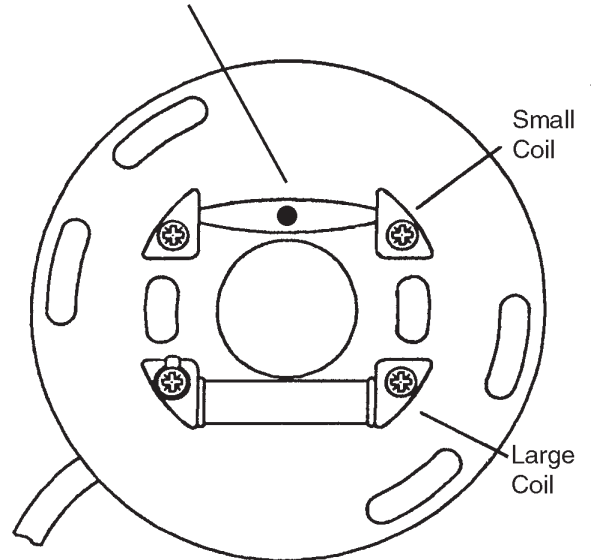
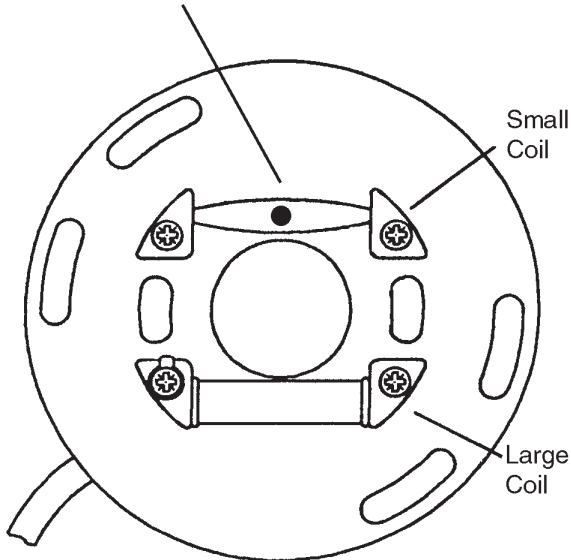
**NOTE:** Black dot on top of small coil will be facing up when the coil is installed on the plate.

**NOTE:** Black dot on top of small coil will be facing up when the coil is installed on the plate.



**NOTE:** Black dot on top of small coil will be facing up when the coil is installed on the plate.

**NOTE:** Black dot on top of small coil will be facing up when the coil is installed on the plate.



**Ricky Stator**

1672 Main St., Unit E, PMB 104, Ramona, CA 92065  
(760) 787-0094 • Fax 787-0313 • E-mail: stator@adnc.com

[www.rickystator.com](http://www.rickystator.com)

**Ricky Stator**

1672 Main St., Unit E, PMB 104, Ramona, CA 92065  
(760) 787-0094 • Fax 787-0313 • E-mail: stator@adnc.com

[www.rickystator.com](http://www.rickystator.com)