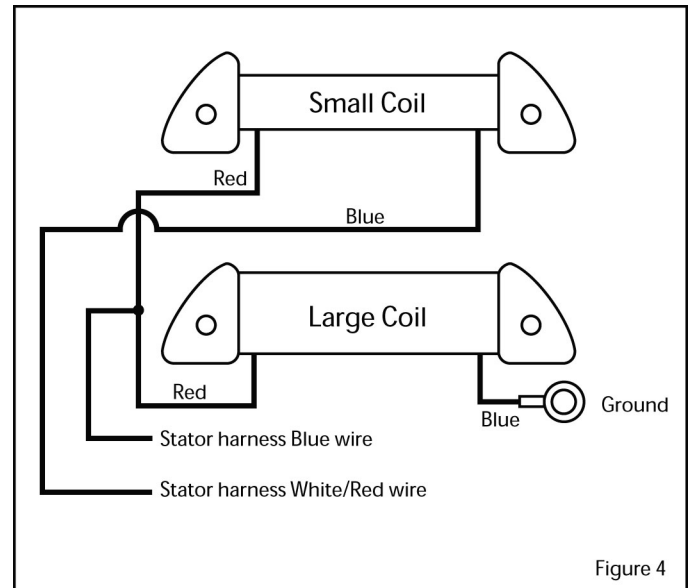
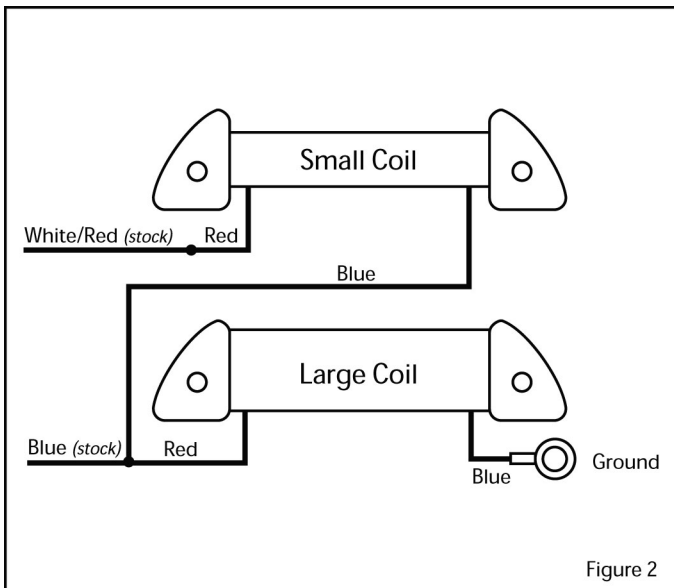
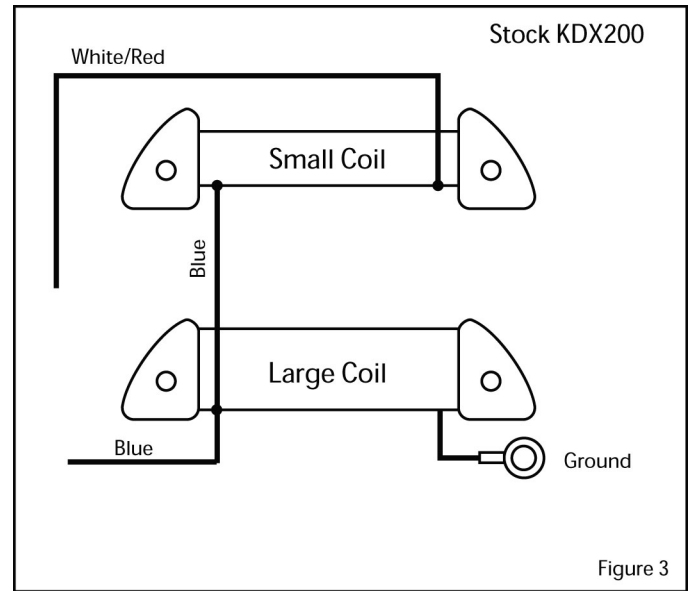
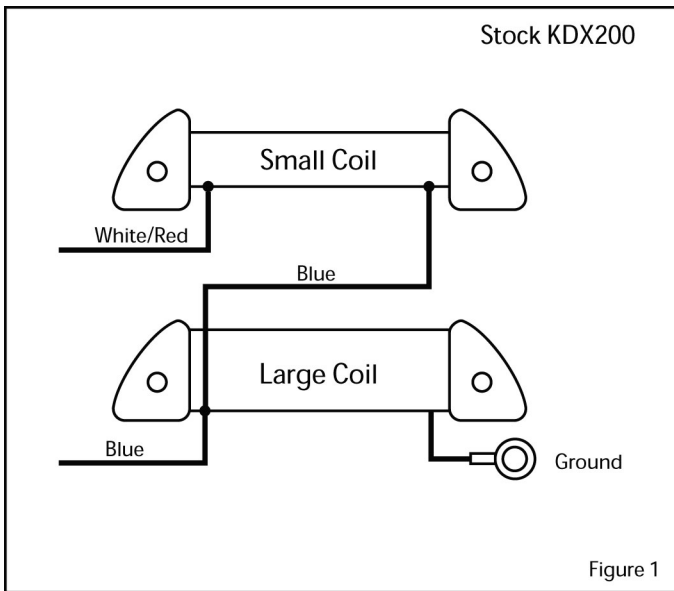




1672 Main St., Unit E, Box 104, Ramona, CA 92065
 760-787-0094 • Fax 787-0313
 E-mail: infor@rickystator.com • www.rickystator.com

KAWASAKI KDX175, KDX200, 1982-1988 KXT250 Tecate

If your stock KDX coils are wired like the diagram in figure 1,
 wire the Ricky Stator coils as shown in figure 2.



If your stock KDX coils are wired like the diagram in figure 3,
 wire the Ricky Stator coils as shown in figure 4.

KXT250 Tecate

Kawasaki Tecate: All stock Tecate 3 wheelers should be
 wired like figure 3. If so, wire Ricky Stator coils like
 figure 4.

If your stock KDX coils are wired like the diagram in figure 3, wire the Ricky Stator coils as shown in figure 4.

KXT250 Tecate

Kawasaki Tecate: All stock Tecate 3 wheelers should be wired like figure 3. If so, wire Ricky Stator coils like figure 4.

