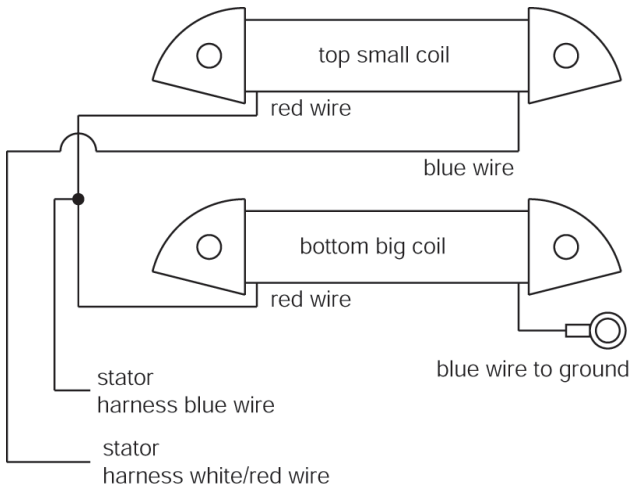




### Typical TECATE ignition coil hook-up



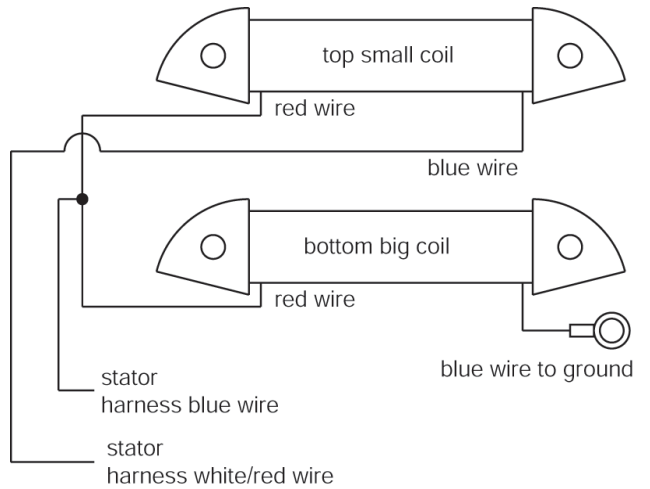
These same coils are used on many years of KDX's also. Many of the KDX models are wired this way. Some are not, check before to verify your wiring before disassembly.

### Ricky Stator

1672 Main St., Suite E, PMB 104, Ramona, CA 92065  
 (760) 787-0094 • Fax 787-0313  
 E-mail: stator@adnc.com  
 www.rickystator.com



### Typical TECATE ignition coil hook-up



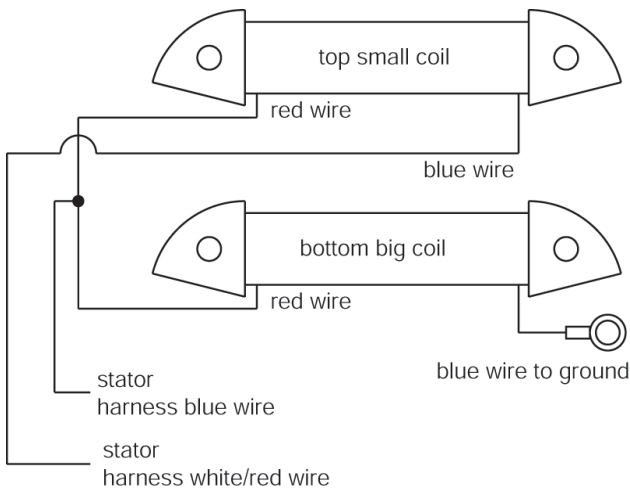
These same coils are used on many years of KDX's also. Many of the KDX models are wired this way. Some are not, check before to verify your wiring before disassembly.

### Ricky Stator

1672 Main St., Suite E, PMB 104, Ramona, CA 92065  
 (760) 787-0094 • Fax 787-0313  
 E-mail: stator@adnc.com  
 www.rickystator.com



### Typical TECATE ignition coil hook-up



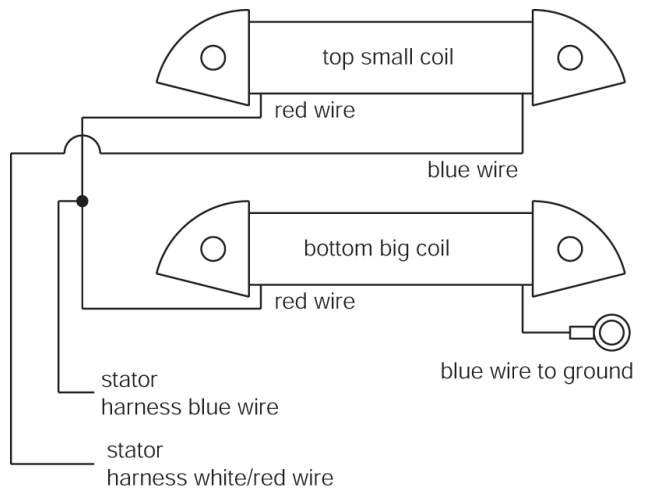
These same coils are used on many years of KDX's also. Many of the KDX models are wired this way. Some are not, check before to verify your wiring before disassembly.

### Ricky Stator

1672 Main St., Suite E, PMB 104, Ramona, CA 92065  
 (760) 787-0094 • Fax 787-0313  
 E-mail: stator@adnc.com  
 www.rickystator.com



### Typical TECATE ignition coil hook-up



These same coils are used on many years of KDX's also. Many of the KDX models are wired this way. Some are not, check before to verify your wiring before disassembly.

### Ricky Stator

1672 Main St., Suite E, PMB 104, Ramona, CA 92065  
 (760) 787-0094 • Fax 787-0313  
 E-mail: stator@adnc.com  
 www.rickystator.com