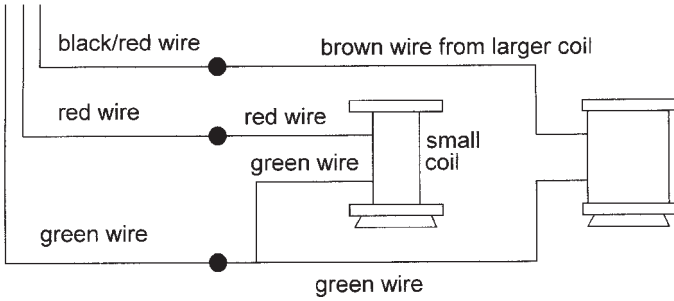




TYPICAL POLARIS 2 IGNITION COIL REPLACEMENT

color of wires on stator harness



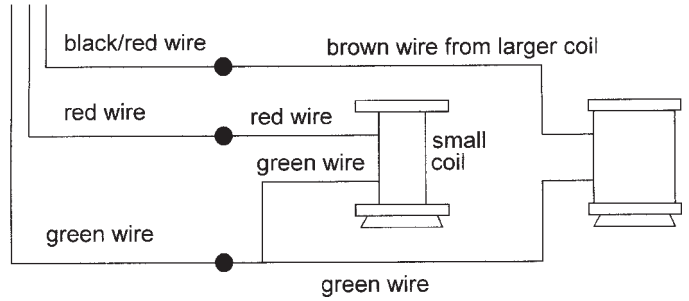
Ricky Stator

760-787-0094 • Fax 760-787-0313
E-mail: stator@adnc.com
www.rickystator.com



TYPICAL POLARIS 2 IGNITION COIL REPLACEMENT

color of wires on stator harness



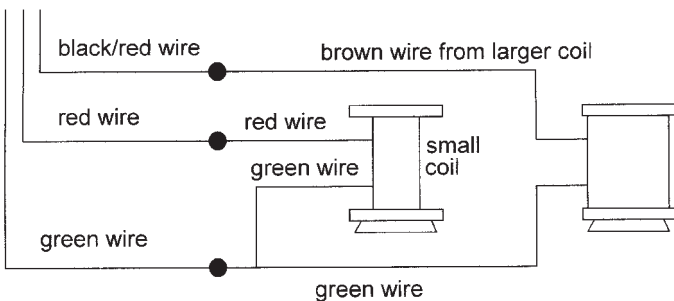
Ricky Stator

760-787-0094 • Fax 760-787-0313
E-mail: stator@adnc.com
www.rickystator.com



TYPICAL POLARIS 2 IGNITION COIL REPLACEMENT

color of wires on stator harness



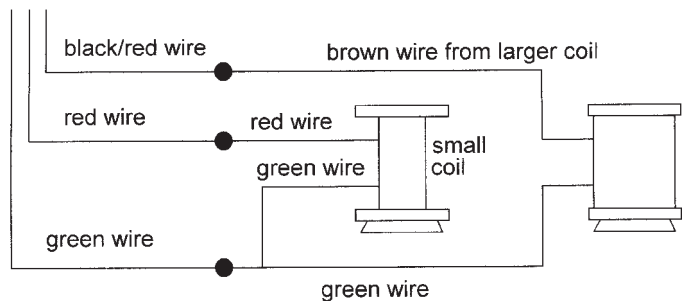
Ricky Stator

1672 Main St., Ste. E, PMB 104, Ramona CA 92065
(760) 787-0094 • Fax 787-0313
E-mail: stator@adnc.com • www.rickystator.com



TYPICAL POLARIS 2 IGNITION COIL REPLACEMENT

color of wires on stator harness



Ricky Stator

760-787-0094 • Fax 760-787-0313
E-mail: stator@adnc.com
www.rickystator.com