

# XR 600R, '91 on, Stator Instructions



The RS XR600R stator is a 200 watt stator that can be configured two different ways: A dual output of 100 watts each or a single output of 200 watts. When using the stator as a stock replacement where no additional output is required or with *most dual sport kits* a dual output configuration will be the preferred method of operation. If the stator is going to be used for additional lighting with no battery in the system a single output configuration is the preferred method, a heavy duty AC regulator is highly recommended in place of the stock AC regulator.

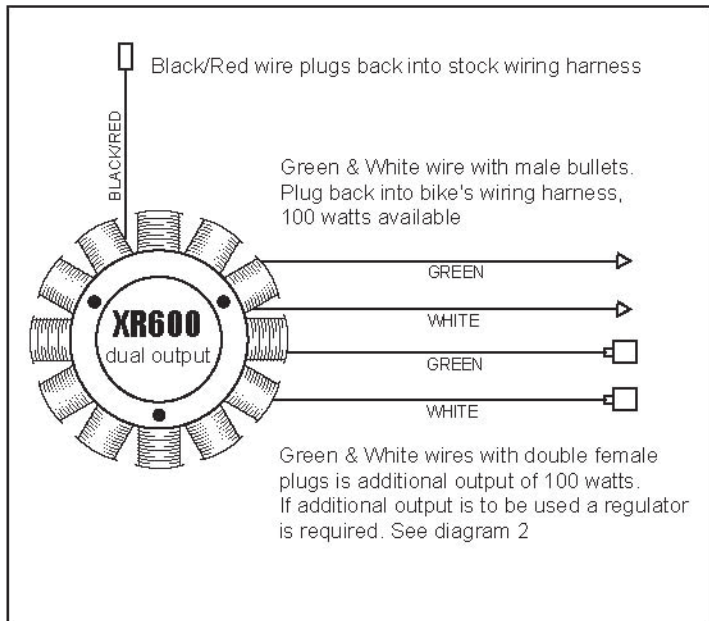


Diagram 1

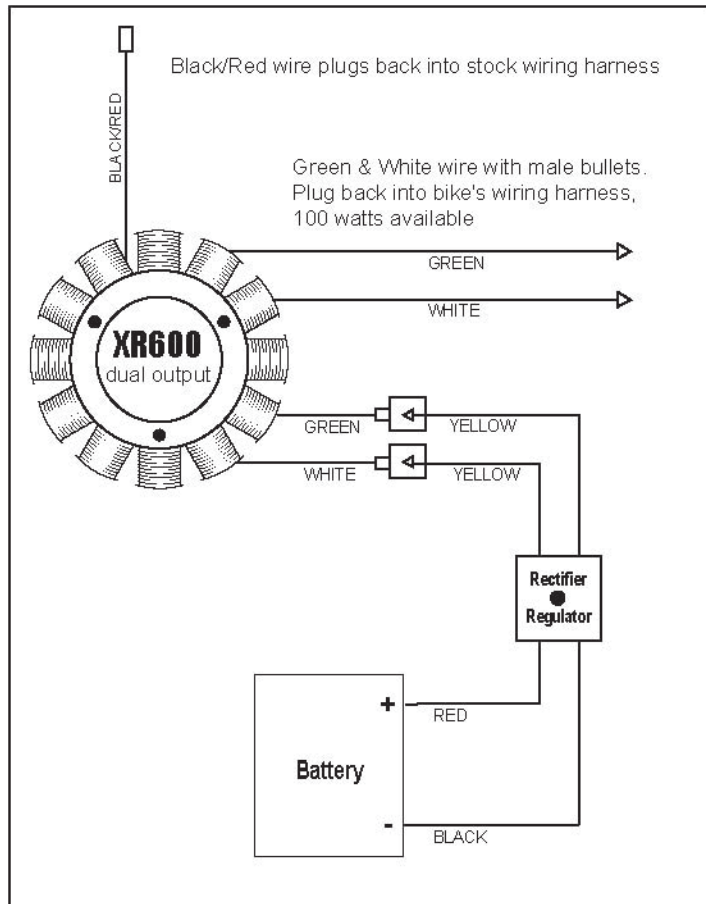


Diagram 3

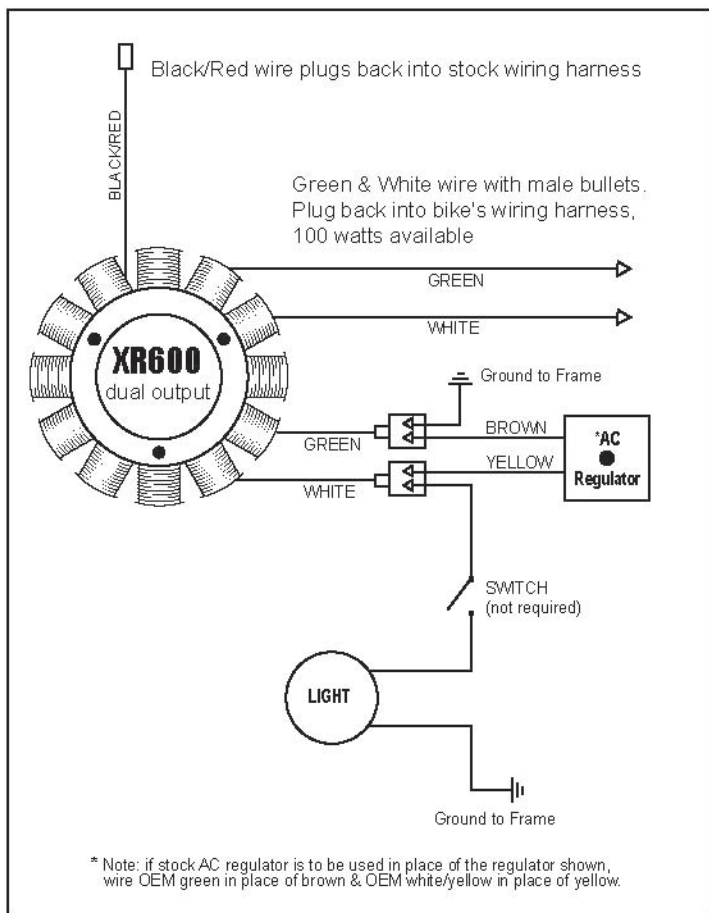


Diagram 2

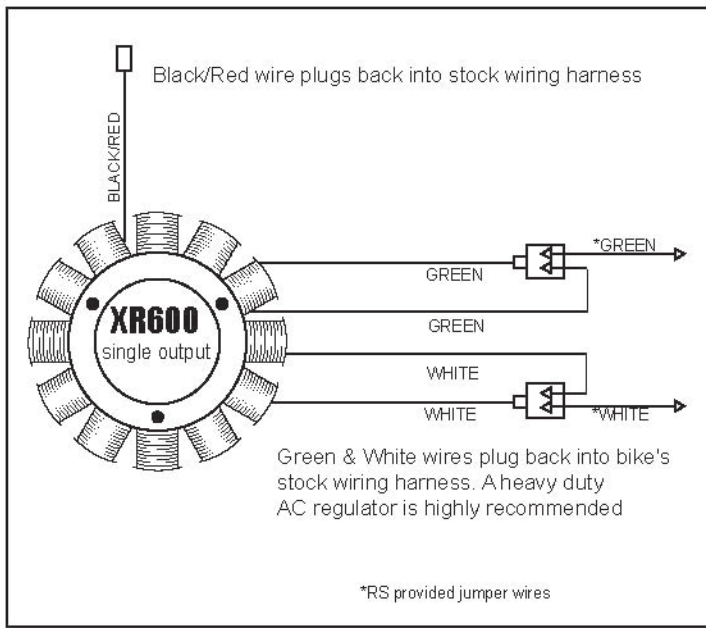


Diagram 4: Single output of 200 watts